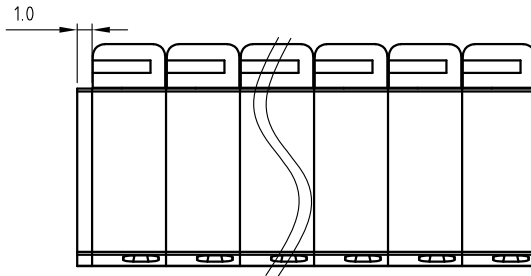
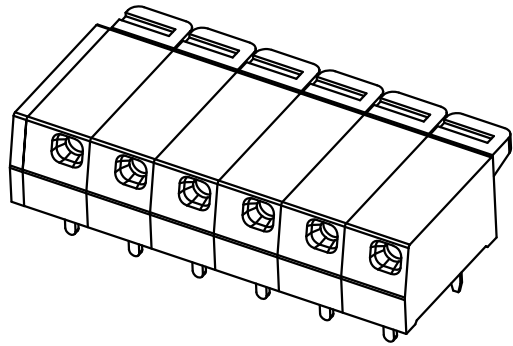


Transfer or duplication of this document as well as the utilisation or communication of its content are not permitted unless express consent is granted. Violations give rise to claims for damages. All rights reserved in case of patent, utility model or design patent registrations.



**Technical data**

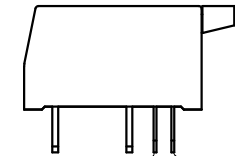
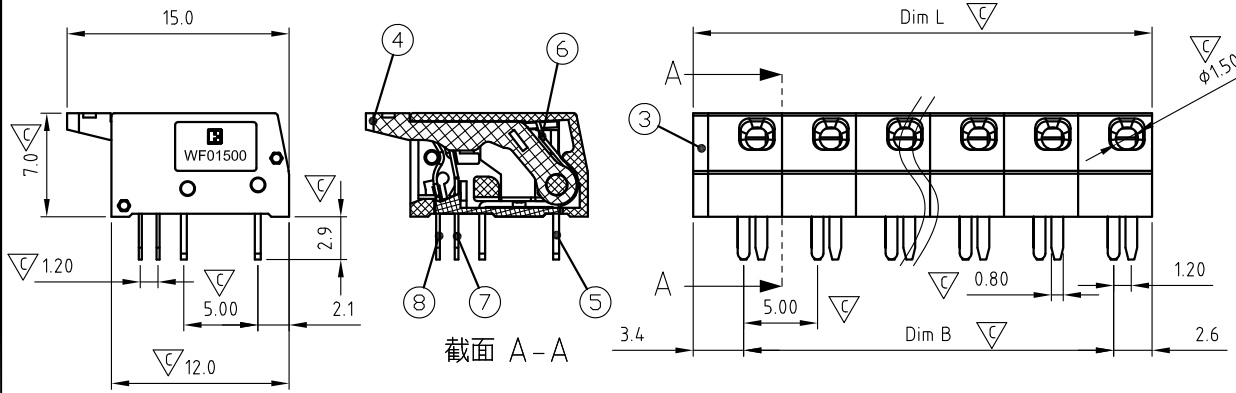
- 1.Nominal voltage: 300V/7A  
PITCH:5.0mm
- 2.Connection capacity:  
Sol 22-18AWG / Str 22-18AWG
- 3.Insulation Withstanding Voltage:  
AC 1600V/MIN
- 4.Insulation Resistance:  
1000MΩ or more at DC500V
- 5.Stripping length: 7-8mm
- 6.Using temperature range:-40°C~115°C  
Soldering temperature:250±5C/10s

7.RoHS Compliance

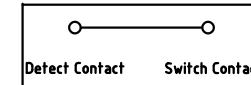
8.Critical dimension:  $\nabla$

9.Undimensioned Tolerances:

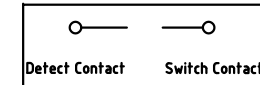
Dim.L=P×5.0+1.0		
Dim.B=(P-1)×5.0		
P= Number of poles(02-12)		
	Dim B	Dim L
0-30mm	±0.15	±0.20
over 30mm-60mm	±0.20	±0.25
over 60mm-90mm	±0.25	±0.30
over 90mm	±0.30	±0.40



Detect Contact      Switch Contact



Without Wire



Wire Inserted

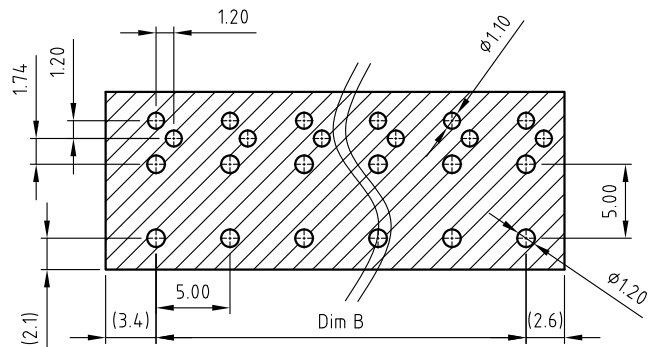
**WF01500 xx x 000**

① ②

① Poles 2P-12P

② Color

0 BLACK 8 Dark grey....



PCB LAYOUT

1	MID BODY (中殼體)	PA6T UL94V-0		P-1
2	END BODY (變殼體)	PA6T UL94V-0		1
3	END COVER (邊蓋)	PA6T UL94V-0		1
4	LEVEL (壓板)	PPS UL94V-0		P
5	Contact Pin (腳子)	Brass C2680	f=0.40mm, Tin Plated	P
6	Wire Retention Spring (彈片)	STAINLESS STEEL SUS301 EH	f=0.25mm,	P
7	Detect Contact (固定彈片)	PHOSPHOR BRONZE C5210H	f=0.25mm, Tin Plated	P
8	Switch Contact (開關彈片)	PHOSPHOR BRONZE C5210H	f=0.25mm, Tin Plated	P
ITEM	NAME OF PART	MATERIAL	NOTES	Q'TY

DWG.	NEAL. Zhang	DATE	2023.10.18	UNITS:	MM	SHEET:	1 OF 1	Tolerance		
CHK.	NEAL. Zhang	DATE	2023.11.14	SCALE:	NONE 2:1 ( : )	REV:	A	X.	±0.50	
APP.		DATE		TITLE:	WF-01500 Series PCB terminal block				X.X	±0.30
				PART NO.	WF01500xxx000				X°	±0.10
				DWG NO.	WF-01500-B006				⊕	±1°

REV	△	SIGN	DESCRIPTION	CHK.	DATE
-----	---	------	-------------	------	------



KUNA Contact Technology Co, Ltd  
http://www.kunacon.com